



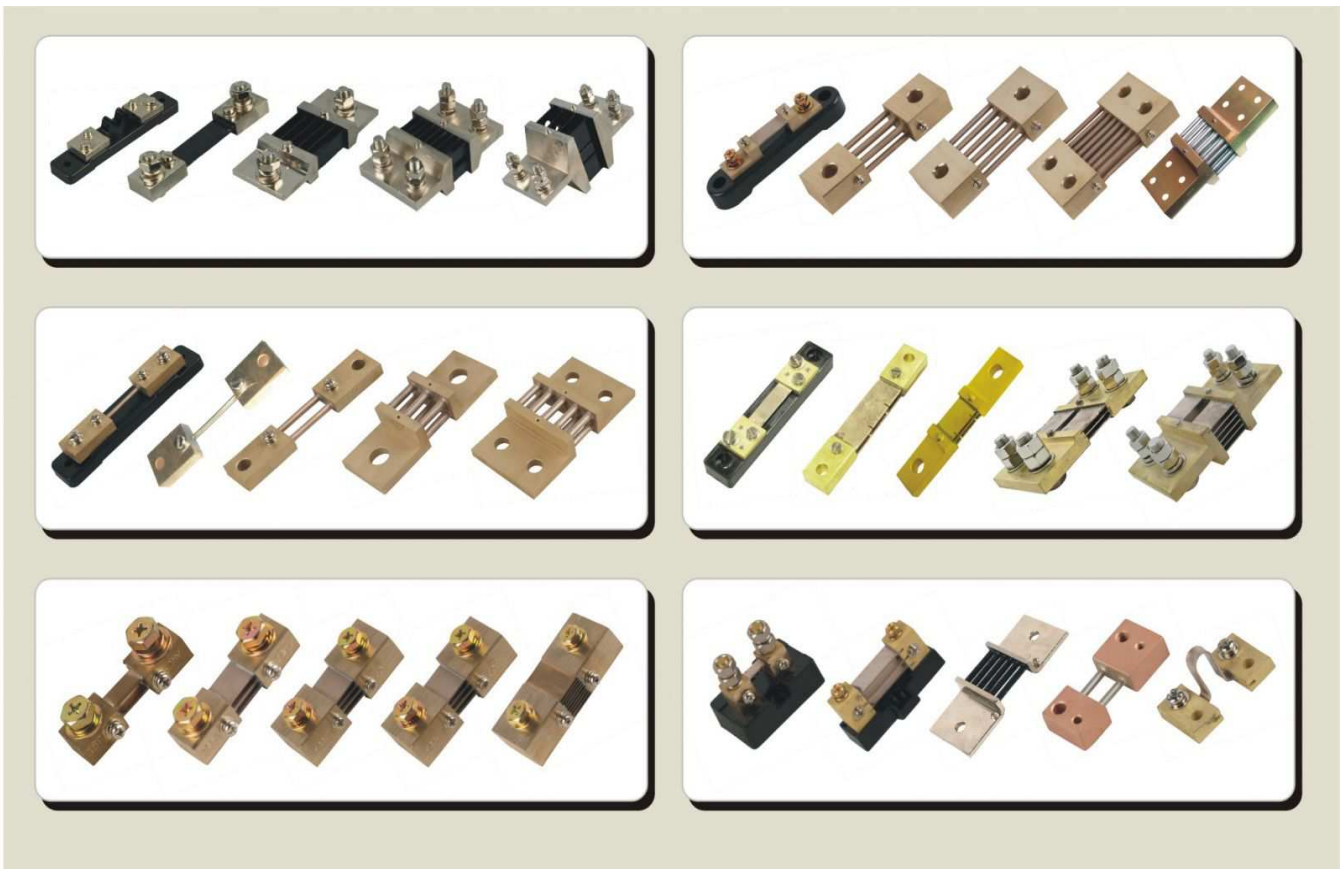
Shunts are used to measure DC current, produced by the principle of resistance when a voltage is generated across the resistor according to DC current.

Features:

- 1) Standard for the Installation: IEC 61010-1:1990
- 2) Accuracy class: 1~4000A: Class 0.5- 0.2
- 3) Temperature: -40~+60°C.
- 4) Relative humidity:
- 5) Mechanical properties of resistance: can withstand acceleration of  $70 \text{ m / s}^2$  and impact frequency of 6 hours of 80 to 120 beats per minute transport point earthquake.
- 6) Overload performance: 120% rated current value, 2 hours.
- 7) Voltage drop: 50mV, 60mV, 75mV, 100mV, 150mV, 200mV, 300mV and so on.
- 8) Heat load: Changes in temperature stabilized, does not exceed the rated current of 50A below 80 °C; rated current of 50A above does not exceed 120 °C.

Usage:

Shunts are widely used to expand the range of instruments to measure current with a fixed value shunt resistors, precision alloy, can be used in communications systems, electronic machine, automatic control of power supply circuits do limiting, both flow sampling testing.





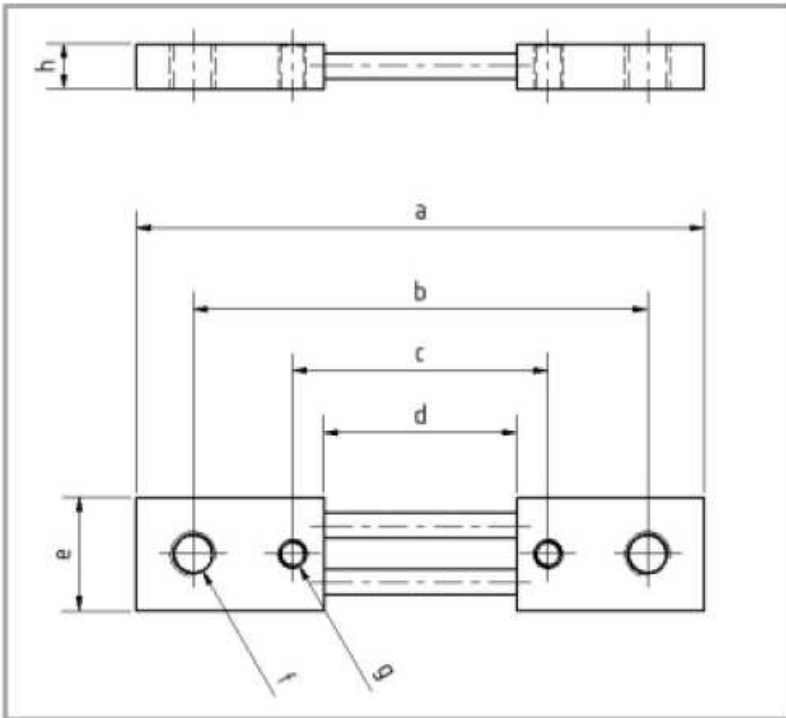
## --Europe DIN43703 Shunt--FL-TS SERIES

		
6A	15A	40A
		
80A	100A	150A
		
200-400A	500-600A	800-1000A
		
1200-1500A	2000A	3000A
		
150-200A	300A	500A

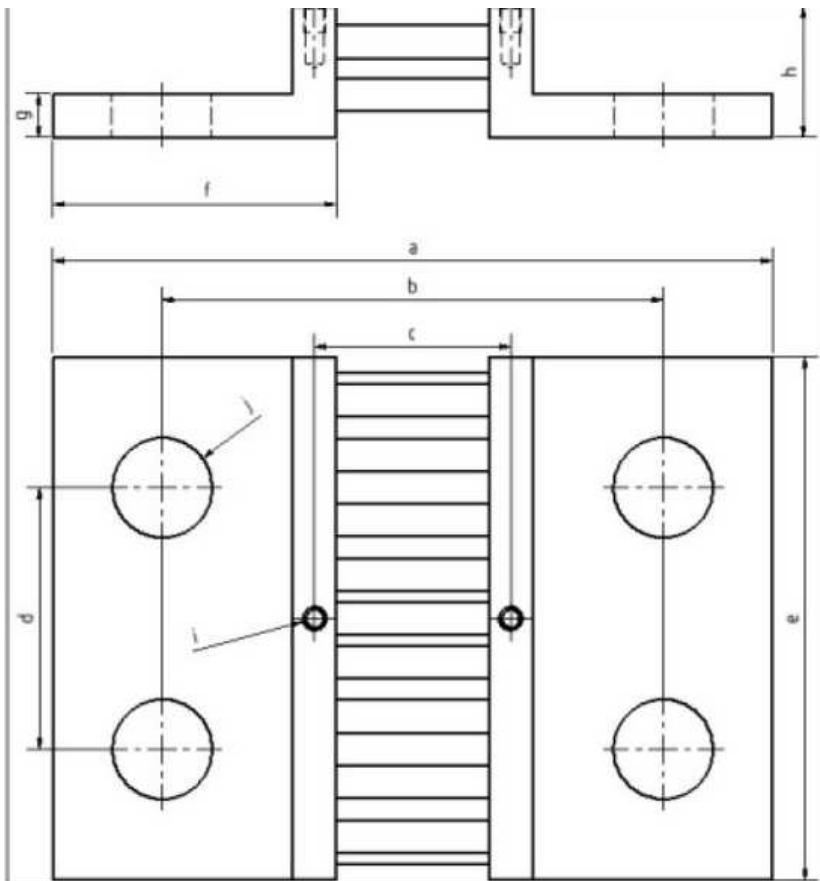




## --SHUNT FORM A

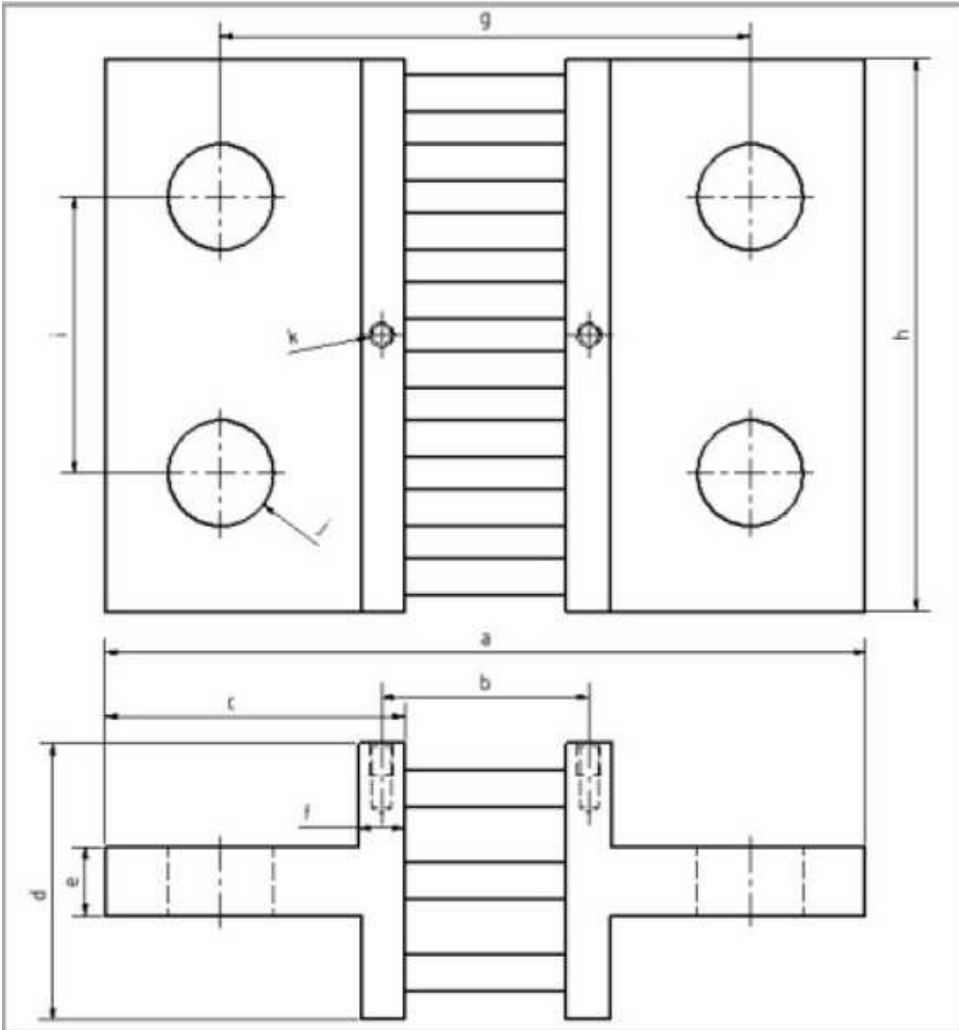


## --SHUNT FORM B





## --SHUNT FORM C





## --SHUNT 60mV Design A

Current in A	a mm	b mm	c mm	d mm	e mm	f mm	g mm	h mm	Accessories
1-25	90	78	45	35	20	M5	M5	8	ISO-S.* Kappe**
30-110	100	78	45	35	20	M5	M5	8	ISO-S.* Kappe**
120-150	100	78	45	35	20	M5	M5	8	ISO-S.* Kappe**
160-190	100	78	45	35	20	M5	M5	8	ISO-S.* Kappe**
200-240	100	78	45	35	20	M5	M5	8	ISO-S.* Kappe**
250	100	78	45	35	20	M5	M5	8	ISO-S.* Kappe**
300	100	78	45	35	30	M5	M5	10	ISO-S.**
400	100	78	45	35	30	M5	M5	10	ISO-S.**
500	100	78	45	35	40	M5	M5	10	ISO-S.**
600	100	78	45	35	40	M5	M5	10	ISO-S.**



Plan

»Enquire

## Design B

Current in A	a mm	b mm	c mm	d mm	e mm	f mm	g mm	h mm	i mm	j mm	Material Cu;Ms	Accessories
200	145	105	45	/	30	55	10	30	M5	13,5	Ms	socket M12**
250	145	105	45	/	30	55	10	30	M5	13,5	Ms	socket M12**
300	145	105	45	/	30	55	10	30	M5	13,5	Ms	socket M12**
400	145	105	45	/	40	55	10	30	M5	17,5	Ms	socket M16**
500	145	105	45	/	40	55	10	30	M5	17,5	Ms	socket M16**
600	145	105	45	/	40	55	10	30	M5	17,5	Ms	socket M16**
700	145	105	45	/	40	55	10	30	M5	17,5	Ms	socket M16**
800	145	105	45	/	40	55	10	30	M5	17,5	Ms	socket M16**
1000	165	115	45	/	60	65	10	30	M5	22,5	Cu	
1200-1250	165	115	45	/	60	65	10	30	M5	22,5	Cu	
1500	165	115	45	45	90	65	10	30	M5	4x 17,5	Cu	
1600-1800	165	115	45	45	90	65	10	30	M5	4x 17,5	Cu	
2000 (like 2000)	165	115	45	45	90	65	10	30	M5	4x 17,5	Cu	
2000 (like 2500)	165	115	45	60	120	65	10	30	M5	4x 22,5	Cu	
2500	165	115	45	60	120	65	10	30	M5	4x 22,5	Cu	
3000	165	115	45	60	120	65	10	30	M5	4x 22,5	Cu	
4000	165	115	45	60	120	65	10	30	M5	4x 22,5	Cu	



Plan

»Enquire

## DesignC

Current in A	a mm	b mm	c mm	d mm	e mm	f mm	g mm	h mm	i mm	j mm	k mm
3000	165	45	65	60	15	15	115	120	60	4x 22,5	M5
4000	165	45	65	60	15	15	115	120	60	4x 22,5	M5
5000	165	45	65	60	15	15	115	120	60	4x 22,5	M5
6000	175	45	70	130	25	15	125	154	52	6x 22,5	M5
8000	175	45	70	130	25	15	125	154	52	6x 22,5	M5
10000	175	45	70	130	25	15	125	206	52	8x 22,5	M5



Plan

»Enquire

## 60 mV shunt





## --SHUNT 100mV

### Design A

Current in A	a mm	b mm	c mm	d mm	e mm	f mm	g mm	h mm	Accessories
1-25	90	78	45	34	20	M5	M5	8	ISO-S.* Kappe**
30-110	145	125	90	78	20	M8	M5	8	2-part-small*
120-150	145	125	90	78	20	M8	M5	8	2-part-small*
160-190	145	125	90	78	20	M8	M5	8	2-part-small*
200-240	145	125	90	78	25	M8	M5	8	2-part-small*
250	145	125	90	78	25	M8	M5	8	2-part-small*
300	145	125	90	78	30	M8	M5	10	2-part-small*
400	145	125	90	78	30	M8	M5	10	2-part-small*

Plan

»Enquire

### Design B

Current in A	a mm	b mm	c mm	d mm	e mm	f mm	g mm	h mm	i mm	j mm	Material Cu;Ms	Accessories
200	190	150	88	/	30	55	10	30	M5	13,5	Ms	socket M12**
250	190	150	88	/	30	55	10	30	M5	13,5	Ms	socket M12**
300	190	150	88	/	30	55	10	30	M5	13,5	Ms	socket M12**
400	190	150	88	/	40	55	10	30	M5	17,5	Ms	socket M16**
500	190	150	88	/	40	55	10	30	M5	17,5	Ms	socket M16**
600	190	150	88	/	40	55	10	30	M5	17,5	Ms	socket M16**
700	190	150	88	/	40	55	10	30	M5	17,5	Ms	socket M16**
800	190	150	88	/	40	55	10	30	M5	17,5	Ms	socket M16**
1000	210	160	90	/	60	65	10	30	M5	22,5	Cu	
1200-1250	210	160	90	/	60	65	10	30	M5	22,5	Cu	
1500	210	160	90	45	90	65	10	30	M5	4x 18	Cu	
1600-1800	210	160	90	45	90	65	10	30	M5	4x 18	Cu	
2000 (like 2000)	210	160	90	45	90	65	10	30	M5	4x 18	Cu	
2000 (like 2500)	210	160	90	60	120	65	10	30	M5	4x 22,5	Cu	
2500	210	160	90	60	120	65	10	30	M5	4x 22,5	Cu	
3000	210	160	90	60	120	65	10	30	M5	4x 22,5	Cu	

Plan

»Enquire

### Design C

Current in A	a mm	b mm	c mm	d mm	e mm	f mm	g mm	h mm	i mm	j mm	k mm
2500	210	90	65	60	15	15	160	120	60	4x 22,5	M5
3000	210	90	65	60	15	15	160	120	60	4x 22,5	M5
4000	220	90	70	130	25	25	170	120	60	4x 22,5	M5
5000	220	90	70	130	25	25	170	120	60	4x 22,5	M5
6000	220	90	70	130	25	25	170	154	52	6x 22,5	M5

Plan

»Enquire

## 100 mV shunt







## --SHUNT 150mV

### Design A

Current in A	a mm	b mm	c mm	d mm	e mm	f mm	g mm	h mm	Zubehör
1-25	90	78	45	34	20	M5	M5	8	ISO-S.* Kappe**
30-110	225	205	171	160	25	M8	M5	8	socket 2-part small**
120-150	225	205	171	160	25	M8	M5	8	socket 2-part small***
160-190	225	205	171	160	25	M8	M5	8	socket 2-part small**
200-240	225	205	171	160	25	M8	M5	8	socket 2-part small**
250	225	205	171	160	25	M8	M5	8	socket 2-part small**
300	225	205	171	160	25	M8	M5	8	socket 2-part small**
400	225	205	171	160	25	M8	M5	8	socket 2-part small**

Plan

»Enquire

### Design B

Current in A	a mm	b mm	c mm	d mm	e mm	f mm	g mm	h mm	i mm	j mm	Material Cu,Ms	Accessories
200	270	230	170	/	30	55	10	30	M5	13,5	Ms	socket M12**
250	270	230	170	/	30	55	10	30	M5	13,5	Ms	socket M12**
300	270	230	170	/	30	55	10	30	M5	13,5	Ms	socket M12**
400	270	230	170	/	40	55	10	30	M5	17,5	Ms	socket M16**
500	270	230	170	/	40	55	10	30	M5	17,5	Ms	socket M16**
600	270	230	170	/	40	55	10	30	M5	17,5	Ms	socket M16**
700	270	230	170	/	40	55	10	30	M5	17,5	Ms	socket M16**
800	270	230	170	/	40	55	10	30	M5	17,5	Ms	socket M16**
1000	290	240	160	/	60	65	10	30	M5	22,5	Cu	
1200-1250	290	240	160	/	60	65	10	30	M5	22,5	Cu	
1500	290	240	160	45	90	65	10	30	M5	4x 17,5	Cu	
1600-1800	290	240	160	45	90	65	10	30	M5	4x 17,5	Cu	
2000 (wie 2000)	290	240	160	45	90	65	10	30	M5	4x 17,5	Cu	
2000 (wie 2500)	290	240	160	60	120	65	10	30	M5	4x 22,5	Cu	
2500	290	240	160	60	120	65	10	30	M5	4x 22,5	Cu	
3000	290	240	160	60	120	65	10	30	M5	4x 22,5	Cu	

Plan

»Enquire

### Design C

Current in A	a mm	b mm	c mm	d mm	e mm	f mm	g mm	h mm	i mm	j mm	k mm
1500	290	170	65	60	15	10	240	90	48	4x 22,5	M5
2000	290	170	65	60	15	10	240	90	48	4x 22,5	M5
2500	290	170	65	60	15	10	240	120	60	4x 22,5	M5
3000	290	170	65	60	15	10	240	120	60	4x 22,5	M5
4000	300	170	70	130	25	15	250	120	60	4x 22,5	M5
5000	300	170	70	130	25	15	250	120	60	4x 22,5	M5
6000	300	170	70	130	25	15	250	154	52	6x 22,5	M5

Plan

»Enquire

## 150 mV shunt





## --SHUNT 200mV

### Design A

Current in A	a mm	b mm	c mm	d mm	e mm	f mm	g mm	h mm	Accessories
1-25	90	78	45	34	20	M5	M5	8	ISO-S.* Kappe**
30-50	260	240	205	194	20	M8	M5	8	2-part-small
60-100	266	246	211	200	20	M8	M5	8	2-part-small
110-160	266	246	211	200	25	M8	M5	8	2-part-small
170-200	266	246	211	200	30	M8	M5	10	2-part-small

Plan

»Enquire

### Design B

Current in A	a mm	b mm	c mm	d mm	e mm	f mm	g mm	h mm	i mm	j mm	Material Cu;Ms	Accessories
200	320	280	220	/	30	55	10	30	M5	13,5	Ms	socket M12**
250	320	280	220	/	30	55	10	30	M5	13,5	Ms	socket M12**
300	320	280	220	/	30	55	10	30	M5	13,5	Ms	socket M12**
400	320	280	220	/	40	55	10	50	M5	17,5	Ms	socket M16**
<b>500</b>	<b>320</b>	<b>280</b>	<b>220</b>	<b>/</b>	<b>40</b>	<b>55</b>	<b>10</b>	<b>50</b>	<b>M5</b>	<b>17,5</b>	<b>Ms</b>	<b>socket M16**</b>
600	320	280	220	/	40	55	10	50	M5	17,5	Ms	socket M16**
700	320	280	220	/	40	55	10	50	M5	17,5	Ms	socket M16**
800	320	280	220	/	40	55	10	50	M5	17,5	Ms	socket M16**
1000	336	286	216	/	60	65	10	30	M5	22,5	Cu	
1200-1250	336	286	216	45	90	65	10	30	M5	4x 18	Cu	
1500	336	286	216	45	90	65	10	30	M5	4x 18	Cu	
1600-1800	336	286	216	45	90	65	10	30	M5	4x 18	Cu	
2000 (small)	336	286	216	45	90	65	10	30	M5	4x 18	Cu	
2000 (like 2500)	333	283	213	60	120	65	10	30	M5	4x 22,5	Cu	
2500	333	283	213	60	120	65	10	30	M5	4x 22,5	Cu	
3000	333	283	213	60	120	65	10	30	M5	4x 22,5	Cu	

Plan

»Enquire

### Design C

Current in A	a mm	b mm	c mm	d mm	e mm	f mm	g mm	h mm	i mm	j mm	k mm
2500	on request										
3000	on request										
4000	on request										
5000	on request										
6000	on request										

Plan

»Enquire

## 200 mV shunt







## --SHUNT 300mV

### Design A

Current in A	a mm	b mm	c mm	d mm	e mm	f mm	g mm	h mm	Accessories
1-25	100	78	45	34	20	M8	M5	8	ISO-S.* Kappe**
30-100	385	365	330	319	25	M8	M5	8	2-part-small
120-150	385	365	330	319	25	M8	M5	8	2-part-small
160-190	385	365	330	319	25	M8	M5	8	2-part-small
200-240	385	365	330	319	25	M8	M5	8	2-part-small

Plan

»Enquire

### Design B

Current in A	a mm	b mm	c mm	d mm	e mm	f mm	g mm	h mm	i mm	j mm	Material Cu,Ms	Accessories
200	430	390	330	/	30	55	10	30	M5	17,5	Ms	socket M12**
250	430	390	330	/	30	55	10	30	M5	17,5	Ms	socket M12**
300	430	390	330	/	30	55	10	30	M5	17,5	Ms	socket M12**
400	430	390	330	/	40	55	10	30	M5	17,5	Ms	socket M16**
500	320	280	220	/	40	55	10	30	M5	17,5	Ms	socket M16**
600	430	390	330	/	40	55	10	50	M5	17,5	Ms	socket M16**
700	430	390	330	/	40	55	10	50	M5	17,5	Ms	socket M16**
800	430	390	330	/	40	55	10	50	M5	17,5	Ms	socket M16**
1000	440	400	340	/	60	65	10	30	M5	22,5	Cu	
1200-1250	440	400	340	/	60	65	10	30	M5	22,5	Cu	
1500	440	400	340	45	60	65	10	30	M5	4x 17,5	Cu	
1600-1800	440	400	340	45	60	65	10	30	M5	4x 17,5	Cu	
2000 (like 1500)	440	400	340	45	60	65	10	30	M5	4x 17,5	Cu	
2000 (like 2500)	440	400	340	60	120	65	10	30	M5	4x 22,5	Cu	
2500	440	400	340	60	120	65	10	30	M5	4x 22,5	Cu	
3000	440	400	340	60	120	65	10	30	M5	4x 22,5	Cu	

Plan

»Enquire

### Design C

Current in A	a mm	b mm	c mm	d mm	e mm	f mm	g mm	h mm	i mm	j mm	k mm
1500	449	329	65	60	15	10	399	90	48	4x 22,5	M5
2000	449	329	65	60	15	10	399	90	48	4x 22,5	M5
2500	449	329	65	60	15	10	399	120	60	4x 22,5	M5
3000	449	329	65	60	15	10	399	120	60	4x 22,5	M5
4000	459	329	70	130	25	15	409	120	60	4x 22,5	M5
5000	459	329	70	130	25	15	409	120	60	4x 22,5	M5
6000	459	329	70	130	25	15	409	154	52	4x 22,5	M5

Plan

»Enquire

## 300 mV shunt

