

SPLIT CORE -CURRENT TRANSFORMERS

-Fixing system: Busbar support mounting, metallic bracket panel mounting, by an accessory; directly to cable by screws(the accessory and the screws are supplied together with the C.T.

MEASURING TRANSFORMERS

-The split core CT series current transformer has been specially designed to facilitate their installation in new or already existing net works. They may be installed without opening any cable or bus-bar circuit. The connection of conventional CTs usually requires the interruption of the primary side circuit to pass cables or bur-bars through the transformer core or to connect such cables to the primary terminals. This series transformers core may be easily opened and they may be installed and connected without any supply interruption. Thus saving time and the installation costs.

TRANSFORMERS ELECTROINC USE

-These transformers are used for measuring current from 100A to 6000A,second current 5A/1A, cl.3-cl.0.5. Busbar dimensions form 20X30mm to 80X160mm.

-Specification

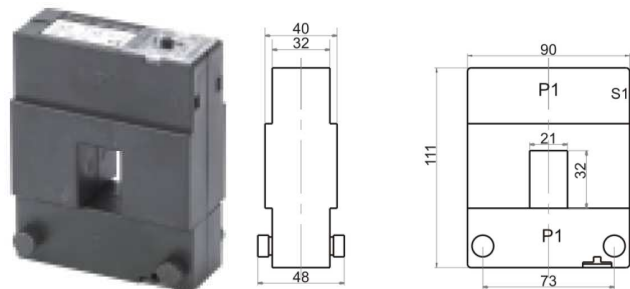
Rated Frequency	50/60Hz
Rated test voltage	3kV AC. (1 min)
Rated short-time thermal current(Ith)	60In
Rated dynamic current,(Idyn)	2.5Ith
Rated voltage,(Um)	0.72Kv AC.
Continuous overload,(Id)	1.2In
Operating temperature	-10℃~50℃
Housing self-extinguishing class	VO
Safety factor	FS 5
Secondary current	5A/1A

TP-23

Transformer suitable for primary current by cable/busbar with maximum diameter 20X30mm

TP23					
Ratio	Cl.1	Cl.0.5	Cl.0.5s	Cl.0.2	Cl.0.2s
100/5A	1.5VA	-	-	-	-
150/5A	1.5VA	-	-	-	-
200/5A	1.5VA	-	-	-	-
250/5A	1.5VA	-	-	-	-
300/5A	2.5VA	1.5VA	-	-	-
400/5A	2.5VA	2.5VA	-	-	-

Any special requirements can be accepted

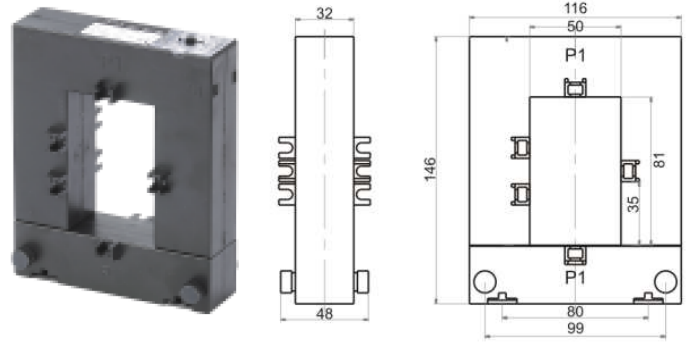




TP-58

Transformer suitable for primary current by cable/busbar with maximum diameter 50X80mm

TP58					
Ratio	Cl.1	Cl.0.5	Cl.0.5s	Cl.0.2	Cl.0.2s
250/5A	1.5VA	-	-	-	-
300/5A	2.5VA	-	-	-	-
400/5A	2.5VA	1.5VA	-	-	-
500/5A	5VA	2.5VA	-	-	-
600/5A	5VA	2.5VA	-	-	-
750/5A	5VA	2.5VA	-	-	-
800/5A	5VA	3.75VA	-	-	-
1000/5A	10VA	5VA	-	-	-

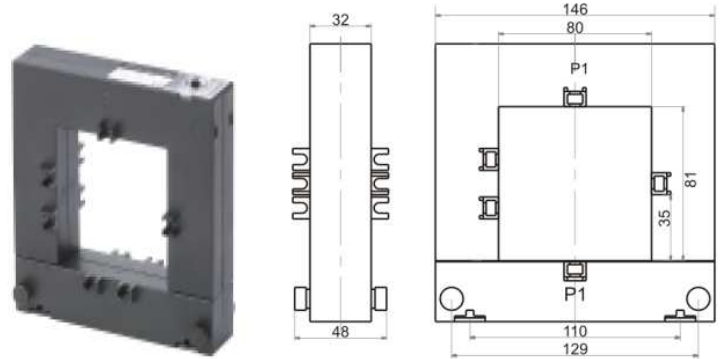


Any special requirements can be accepted

TP-88

Transformer suitable for primary current by cable/busbar with maximum diameter 80X80mm

TP88					
Ratio	Cl.1	Cl.0.5	Cl.0.5s	Cl.0.2	Cl.0.2s
250/5A	1.5VA	-	-	-	-
300/5A	1.5VA	-	-	-	-
400/5A	2.5VA	-	-	-	-
500/5A	2.5VA	1.5VA	-	-	-
600/5A	2.5VA	1.5VA	-	-	-
750/5A	2.5VA	2.5VA	-	-	-
800/5A	5VA	2.5VA	-	-	-
1000/5A	7.5VA	5VA	-	-	-



Any special requirements can be accepted

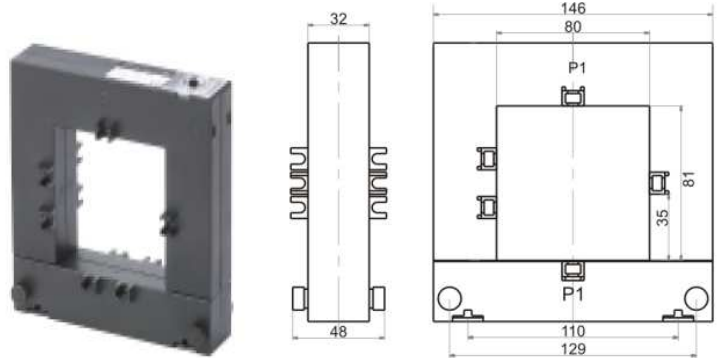




TP-812

Transformer suitable for primary current by cable/busbar with maximum diameter 80X120mm

TP812					
Ratio	Cl.1	Cl.0.5	Cl.0.5s	Cl.0.2	Cl.0.2s
500/5A	2.5VA	-	-	-	-
600/5A	2.5VA	-	-	-	-
750/5A	5VA	2.5VA	-	-	-
800/5A	5VA	5VA	-	-	-
1000/5A	7.5VA	5VA	-	-	-
1200/5A	7.5VA	5VA	-	-	-
1250/5A	7.5VA	5VA	-	-	-
1500/5A	10VA	10VA	-	-	-

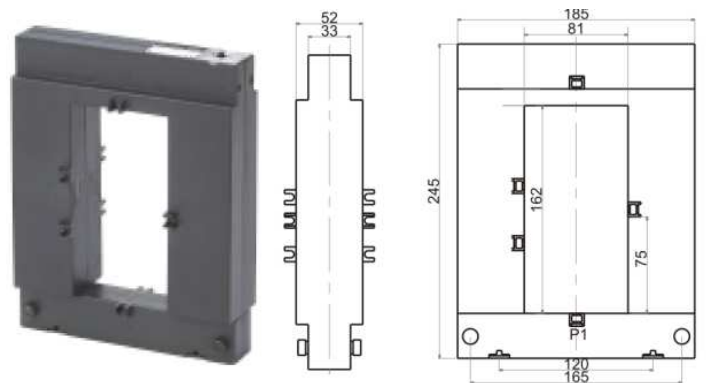


Any special requirements can be accepted

TP-816

Transformer suitable for primary current by cable/busbar with maximum diameter 80X160mm

TP816					
Ratio	Cl.1	Cl.0.5	Cl.0.5s	Cl.0.2	Cl.0.2s
1000/5A	10VA	5VA	-	-	-
1500/5A	10VA	7.5VA	-	-	-
2000/5A	15VA	10VA	-	-	-
2500/5A	20VA	15VA	-	-	-
3000/5A	25VA	20VA	-	-	-
4000/5A	25VA	20VA	-	-	-
5000/5A	25VA	20VA	-	-	-
6000/5A	30VA	20VA	-	-	-



Any special requirements can be accepted





Everfar Electrical Group
温州 艾瑞法 电气

CURRENT TRANSFORMER LOW VOLTAGE

---Produced by Subcompany QIANWEI Current Transformer

Other Housing Models

The following different housing has the same window size of the TP series.

Contact us to choose different housing for your market.

DBP SEIRES



BR SEIRES





Everfar Electrical Group
温州 艾瑞法 电气

CURRENT TRANSFORMER LOW VOLTAGE

---Produced by Subcompany QIANWEI Current Transformer

HK SEIRES



LDP SEIRES



KCT SEIRES



Tel: +86-577-62708775 Fax: +86-577-62708776 Post Code: 325604
QIANWEI: sales@qianweict.com www.qianweict.com
EVERFAR: sales@everfarelec.com www.everfarelec.com

 Everfar Electrical Group
温州 艾瑞法 电气

